



FERMOD

FASTRAX™ FR

**RITE·HITE®
DOORS**
The Leading Edge In Door Safety.

COLD-STORAGE DOORS

Simple design and easy choice for almost any opening

Available with a standard lift, high lift, full vertical and custom configurations, FasTrax fits almost any opening with fewer costly building modifications.

Reinventing the wheel

The heart of every FasTrax door, the Traxion Drive System powers the door up and down without the need for counterweights, springs or pulleys.

Maximum uptime, minimum maintenance

Fewer moving parts mean reliable, trouble-free performance and low lifetime ownership cost.

Industry's highest operating speeds

Operating speeds up to 100" per second allows fast cycle times that increase productivity and maximize energy savings.

True Auto Re-feed™

After an accidental impact, the FasTrax door re-feeds itself on the fly without human intervention, keeping your freezer door closed and downtime to a minimum.

Industry's safest door

Thanks to Soft-Edge™ Technology, two thru-beam photo eyes and optional VirtualVision, I-Zone™ infrared sensors and non-powered opening.

Superior full-perimeter seal

Reduces the need for heat lamps and air curtains which can be costly to operate.



FASTRAX™ HIGH-PERFORMANCE COLD-STORAGE DOORS

Combining the unique Thermal Air™ System with the InsulMax R-4 curtain provides an innovative, energy-efficient high-performance freezer door. The choice is easy.



Thermal Air seal



InsulMax curtain



Standard lift configuration

RITE·HITE®





FASTRAX™ FR

SPECIFICATIONS

Speed

Up to 100"/sec with standard variable-frequency drive.
Top speed is dependent on door size.

Size

Minimum – 5' wide x 8' high (1524 mm x 2440 mm)
Maximum – 10' wide x 16' high (3048 mm x 4876 mm)

Curtain material

InsulMax – 1" of polyester insulation placed between two layers of 27 oz. vinyl.

Side frames

Powder-coated aluminum extrusion, 4-1/2" wide x 4-3/4" projection.

Drive system

2-HP motor, variable-frequency drive, cushioned motor mounts, Traxion Drive System – consisting of a drive gear, drive spheres and a composite-edge material which is attached to the curtain.

Electrical requirements

Single-phase: 220v - 240V
Three-phase: 208V, 230V, 400V, 460V, 575V

Control box

i-COMM™ Digital Controller, variable-frequency drive.

Curtain retention

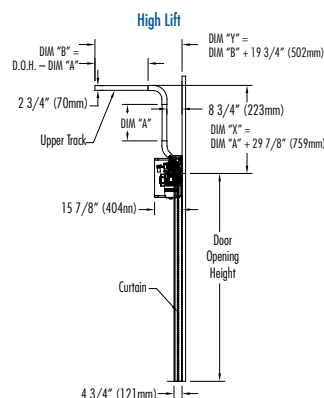
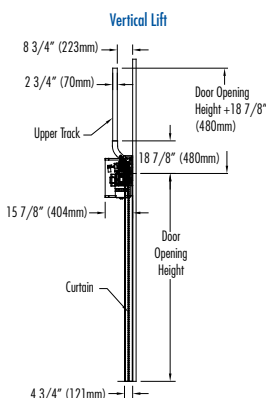
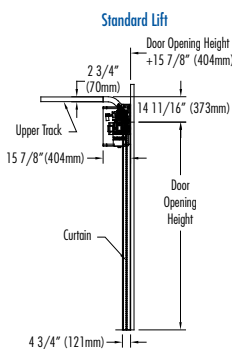
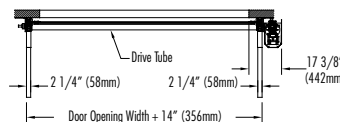
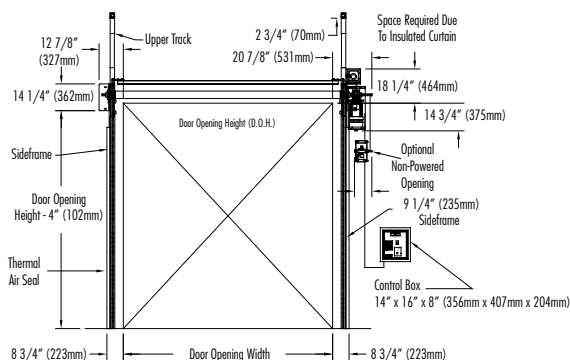
Wear-resistant Lexan wind guides keep tension on the curtain the entire length of the side frame. Standard wind pressure of 25 mph. Includes TRUE Auto Re-feed system in case of accidental impacts to curtain.

Safety features

SoftEdge™ Technology, two thru-beam photo eyes mounted at 18" and 54" off the floor.

Warranty

Limited one-year parts and labor on all components, including electrical. Rite Hite Doors also offers an exclusive one-year money-back guarantee of customer satisfaction.



Rite-Hite Corporation

8900 North Arbon Drive Milwaukee, WI 53223 USA (414) 355-2600 (800) 456-0600 FAX: (414) 355-9248

Mailing Address: Rite-Hite Corporation P.O. Box 245020 Milwaukee, WI 53224 USA

www.ritehite.com www.ritehitedoors.com

D14FTRSS0107C

RITE-HITE®, Barrier®, FasTrax™, Soft-Edge™, I-Zone™, Thermal Air™, TRUE Auto Re-feed™ and i-COMM™ are trademarks of the RITE-HITE Corporation.

RITE-HITE products are covered by one or more U.S. Patents with other U.S. and foreign patents pending. RITE-HITE reserves the right to make product improvements without prior notice.